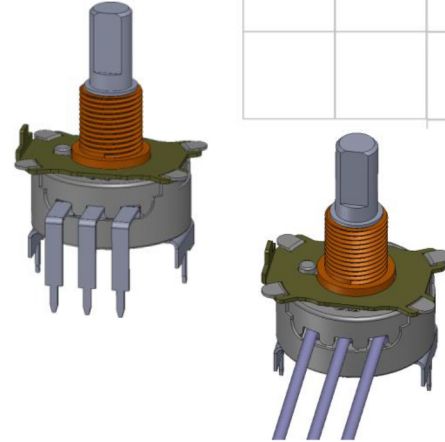




Series 287

24mm Rotary Potentiometer

- Ceramic Printed Element
- High Rated Power: 2 watts
- High Rotational Torque: **400 ± 200 gf-cm**
- Rotational Life: 100,000 cycles
- Ingression Protection Rating: IP67
- Rugged Metal Shaft and Bushing
- Solder Lug, PC Mount and Flexible Lead Options



Ordering Information

Series	Terminal Style	Mounting Style "A"	Shaft Length "L"	Shaft Trim	Resistance Code	Resistance Tolerance	Taper	A/R Lug Options
287	T	2	20	R	103	B	1	1

Code	Spec.
X	PC mount
T	Solder Lugs
C	Wire leads (100 mm length)

Metal Shaft	
12	.375" (9,53 mm) *
16	.500" (12,7 mm) *
20	.625" (15,88 mm)
24	.750" (19,05 mm)
28	.875" (22,23 mm)
32	1.00" (25,4 mm)
40	1.25" (31,75 mm)
64	2.00" (50,8 mm)
80	2.50" (63,5 mm)

Diameter: 1/4"
Length increment: 1/32"
*Available with .250" bushing length only.

Bushings	
2	.250" (6,35mm)
3	.375" (9,53mm)
4	.500" (12,7 mm)
5	.500" (12,7 mm) Split locking

Diameter: 3/8"-32UNEF-2A
Length increment: 1/8"

Code	Resistance
501	500 Ω
102	1 kΩ
202	2 kΩ
252	2.5 kΩ
502	5 kΩ
103	10 kΩ
203	20 kΩ
253	25 kΩ
503	50 kΩ
104	100 kΩ
204	200 kΩ
254	250 kΩ
504	500 kΩ
105	1 MΩ

Other resistance values available on request.

Code	Spec.
A	±10%
B	±20%

Code	Spec.
1	Left side lug
4	Right side lug
5	No lug
6	Bilateral lugs

Code	Spec.
1	Linear
2	10% AUD
3	10% CCW AUD

Other tapers are available on request.

Code	Spec.
R	Round
F	Flatted
S	Slotted

Electrical Specifications

Parameter	Conditions & Remarks	Min	Max	Unit
Resistance Range	Linear	10k	100k	Ω
Dielectric Strength	1 minute		750	VAC
Power Rating	@ 55°C		2.0	watt
Operating Voltage			TBD	VDC
Insulation Resistance	TBD VDC	TBD		M Ω
Resistance Tolerance	Standard: $\pm 20\%$ Special: $\pm 10\%$			
Independent Linearity	$\pm 3\%$			
Effective Electrical Angle	292°			

Mechanical and Environmental

Parameter	Conditions & Remarks	Min	Max	Unit
Operating Temperature Range		-10	+80	°C
Rotational Life	Sustaining Torque Element Wear	50,000 100,000		cycles cycles
Mechanical Angle			312	°
Stop Strength	9 kg-cm (7.8 in-lb)			
Rotational Torque	200 to 600 gf-cm (2.78 to 8.33 oz-in)			
Push-Pull Strength of Shaft	13.6 kg for 10 seconds			
Ingression Protection	IP67			
Mounting Torque	25 in-lb max.			
Weight	TBD			
Soldering Condition	Maximum temperature of 260°C for 5 seconds			
Marking	CTS logo, part number and date code			
Packaging	Standard cardboard box packaging			

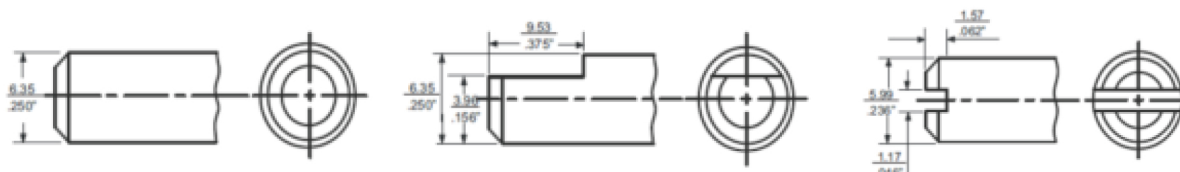
All testing is performed at room ambient conditions except as noted. Users should verify device actual performance in their specific applications.

This product is compliant to RoHS3 Directive 2015/863 Amendments of Annex II on 31 March 2015, and REACH SVHC Directive EC 1907/2006 Amendments of Annex XIV & Annex XVII on 15 January 2018.

Custom and value-added options available on request. Please contact your sales representative for additional information.

Electrical and Mechanical Specifications

Shaft Diameter and Trim Options



R – Round

F – Flatted

S – Slotted

Electrical and Mechanical Specifications

Series 287 Metal Shaft, Bushing Mount, Printed Circuit "X" Type Terminals

